

Network Cable Fiber

LinkIT fiber patch OM4 SC/SC Magenta

2.5m

Duplex | MM | LSZH

Product number: FPD54SPSP-025

Product Description

LinkIT fiber patch OM4 is an optimized 50 µm multimode fiber patch cord for 10 Gbps up to 100 Gbps data transmission (10 Gbps up to 550 m / 100 Gbps up to 125 m) with duplex SC-UPC connectors at both ends

Main Specifications

Brand	LinkIT
Color	Magenta
Length (m)	2,5
Category	OM4
Connector type 1	SC
Connector type 2	SC
Polishing contact 1	UPC
Polishing contact 2	UPC
Cable type	Duplex
Number of fibers	2
Core Diameter (um)	50/125 - Multimode

Extended Specifications

Transmission speed	10Gbps
Jacket material	LSZH
Anti-kink sleeve	Moulded
Optical Return Loss (dB)	≥35dB
Insertion Loss (dB)	≤0.3dB




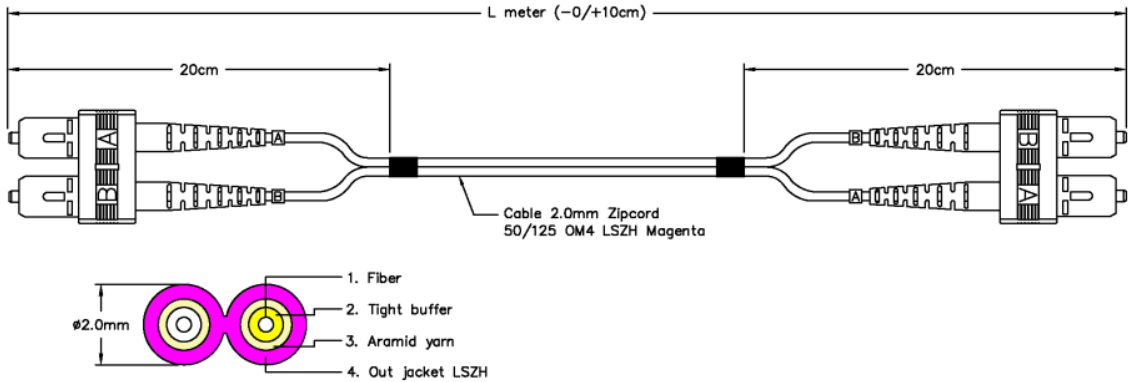
Operating Temperature	-40°C ~+75°C
Storage Temperature	-40°C ~+75°C
Cable Diameter (mm)	2
Fire properties	IEC-60332-3-24, IEC 60332-1-2, IEC 61034, IEC 60754-1
Halogenfree	✓
Fire retardant version	✓
Bending radius (mm)	20
Tensile loads (N)	150
Certifications	CE, RoHS

Single packaging

Unit	PCE
Quantity	1

Dimensional Sketches

 LinkIT FiberPatch OM4 SC/SC Magenta



Specifications			
Connector type:	SC-SC	Insertion loss:	≤0.3dB
Fiber mode:	OM4 50/125	Return loss:	≥35dB
Fiber grade:	G.651.1	Wave length:	850/1300nm
Polish type:	PC	Optimized Data rate:	1Gb/s over 1040m / 10Gb/s over 550m
Cable jacket:	LSZH	Durability:	500 matings
Color:	Magenta	Operating/storage temp:	-40°C ~ +75°C
Cable diameter:	2mm	Fire properties:	Fire retardant and halogen-free IEC 60332-3-24, IEC 60332-1-2, IEC 61034, IEC 60754-1
Minimum bend radius:	20mm	IEC standards:	All CENELEC standards required
Tensile loads:	150N		

