



## Network Cable Fiber

### LinkIT fiber patch OS2 LC/LC 1m

Duplex | SM | LSZH | Blue

Product number: FPD92LULU-010-BLUE

## Product Description

This OS2 Duplex fiber optic cable is available in various colors and lengths, featuring LC connectors with UPC polishing on both ends. Designed for singlemode applications with a 9/125  $\mu\text{m}$  core diameter, it supports wavelengths of 1310/1550 nm. The cable offers low insertion loss of  $\leq 0.3$  dB and an optical return loss of  $\geq 55$  dB. With a 2mm diameter, the cable is jacketed in LSZH material, providing fire-retardant and halogen-free properties in compliance with IEC safety standards. It withstands temperatures from  $-40^{\circ}$  to  $+75^{\circ}\text{C}$ , has a bending radius of 20mm, and a tensile load capacity of 150N. Certified to CE and RoHS standards.

## Main Specifications

<b>Brand</b>	LinkIT
<b>Color</b>	Blue
<b>Length (m)</b>	1
<b>Category</b>	OS2
<b>Connector type 1</b>	LC
<b>Connector type 2</b>	LC
<b>Polishing contact 1</b>	UPC
<b>Polishing contact 2</b>	UPC
<b>Cable type</b>	Duplex
<b>Number of fibers</b>	2
<b>Wave length (nm)</b>	1310/1550nm
<b>Core Diameter (<math>\mu\text{m}</math>)</b>	9/125 Singlemode

## Extended Specifications

<b>Jacket material</b>	LSZH
------------------------	------




<b>Anti-kink sleeve</b>	Moulded
<b>Optical Return Loss (dB)</b>	<=0.3DB
<b>Insertion Loss (dB)</b>	≤0.3 dB
<b>Operating Temperature</b>	-40° ~ +75°C
<b>Storage Temperature</b>	-40° ~ +75°C
<b>Cable Diameter (mm)</b>	2.0
<b>Fire properties</b>	IEC-60332-3-24, IEC 60332-1-2, IEC 61034, IEC 60754-1
<b>Halogenfree</b>	✓
<b>Oil resistant</b>	✗
<b>Fire retardant version</b>	✓
<b>Bending radius (mm)</b>	20mm
<b>Tensile loads (N)</b>	150N
<b>Certifications</b>	CE, RoHS

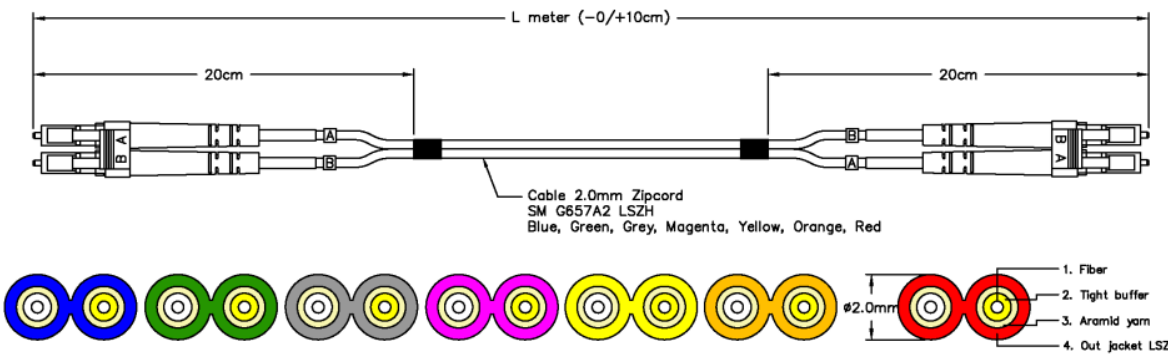
## Single packaging

<b>Unit</b>	PCE
<b>Quantity</b>	30
<b>Height (cm)</b>	9
<b>Width (cm)</b>	22
<b>Length(cm)</b>	19
<b>Weight (kg)</b>	0,45
<b>Gross Weight (kg)</b>	0,66



## Dimensional Sketches

 LinkIT FiberPatch SM G657A2 LC/LC Blue, Green, Grey, Magenta, Yellow, Orange, Red



Cable 2.0mm Zipcord  
SM G657A2 LSZH  
Blue, Green, Grey, Magenta, Yellow, Orange, Red

1. Fiber  
2. Tight buffer  
3. Aramid yarn  
4. Out jacket LSZH

Specifications			
Connector type:	LC-LC	Insertion loss:	≤0.3dB
Fiber mode:	SM G657A2	Return loss:	≥55dB
Fiber grade:	G.657.A2 and G.652.D	Wave length:	1310/1550nm
Polish type:	UPC	Optimized Data rate:	xx
Cable jacket:	LSZH	Durability:	500 matings
Color:	Blue, Green, Grey, Magenta, Yellow, Orange, Red	Operating/storage temp:	-40°C ~ +75°C
Cable diameter:	2mm	Fire properties:	Fire retardant and halogen-free IEC 60332-3-24, IEC 60332-1-2, IEC 61034, IEC 60754-1
Minimum bend radius:	20mm	IEC standards:	All CENELEC standards required
Tensile loads:	150N		

