

Network Cable Fiber

LinkIT fiber patch OS2 LC/LC 10m

Duplex | SM | LSZH | Green

Product number: FPD92LULU-100-GREEN

Product Description

This OS2 Duplex fiber optic cable is available in various colors and lengths, featuring LC connectors with UPC polishing on both ends. Designed for singlemode applications with a 9/125 μm core diameter, it supports wavelengths of 1310/1550 nm. The cable offers low insertion loss of ≤ 0.3 dB and an optical return loss of ≥ 55 dB. With a 2mm diameter, the cable is jacketed in LSZH material, providing fire-retardant and halogen-free properties in compliance with IEC safety standards. It withstands temperatures from -40° to $+75^{\circ}\text{C}$, has a bending radius of 20mm, and a tensile load capacity of 150N. Certified to CE and RoHS standards.

Main Specifications

Brand	LinkIT
Category	OS2
Connector type 1	LC
Connector type 2	LC
Polishing contact 1	UPC
Polishing contact 2	UPC
Cable type	Duplex
Number of fibers	2
Wave length (nm)	1310/1550nm
Core Diameter (μm)	9/125 - Singlemode

Extended Specifications

Jacket material	LSZH
Anti-kink sleeve	Moulded
Optical Return Loss (dB)	≥ 55 dB
Insertion Loss (dB)	≤ 0.3 dB
Operating Temperature	$-40^{\circ} \sim +75^{\circ}\text{C}$
Storage Temperature	$-40^{\circ} \sim +75^{\circ}\text{C}$




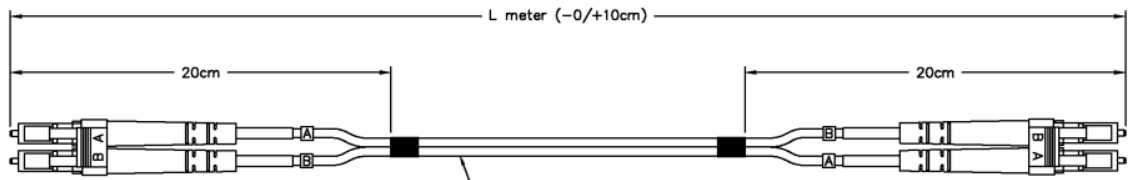
Cable Diameter (mm)	2
Fire properties	IEC-60332-3-24, IEC 60332-1-2, IEC 61034, IEC 60754-1
Halogenfree	✓
Fire retardant version	✓
Bending radius (mm)	20mm
Tensile loads (N)	150N
Certifications	CE, RoHS

Single packaging

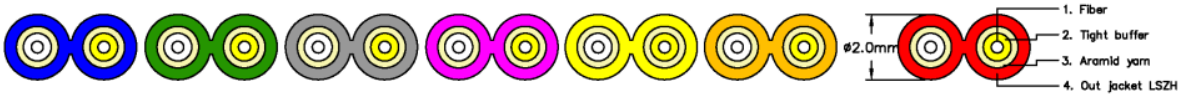
Unit	PCE
Quantity	1

Dimensional Sketches

 LinkIT FiberPatch SM G657A2 LC/LC Blue, Green, Grey, Magenta, Yellow, Orange, Red



Cable 2.0mm Zipcord
SM G657A2 LSZH
Blue, Green, Grey, Magenta, Yellow, Orange, Red



Specifications			
Connector type:	LC-LC	Insertion loss:	≤0.3dB
Fiber mode:	SM G657A2	Return loss:	≥55dB
Fiber grade:	G.657.A2 and G.652.D	Wave length:	1310/1550nm
Polish type:	UPC	Optimized Data rate:	xx
Cable jacket:	LSZH	Durability:	500 matings
Color:	Blue, Green, Grey, Magenta, Yellow, Orange, Red	Operating/storage temp:	-40°C ~ +75°C
Cable diameter:	2mm	Fire properties:	Fire retardant and halogen-free IEC 60332-3-24, IEC 60332-1-2, IEC 61034, IEC 60754-1
Minimum bend radius:	20mm	IEC standards:	All CENELEC standards required
Tensile loads:	150N		

