

Network Cable Fiber

LinkIT fiber patch OS2 LC/LC 20m

Duplex | SM | LSZH | Blue

Product number: FPD92LULU-200-BLUE



Product Description

LinkIT fiber patch OS2 cable for smaller losses with small bending diameter (down to 20 mm). For standard fiber cable, bending diameters over 60mm are recommended. The cable has UPC polished connectors for maximum dimming of return light. For 10Gb.

Main Specifications

Brand	LinkIT
Color	Blue
Category	OS2
Connector type 1	LC
Connector type 2	LC
Polishing contact 1	UPC
Polishing contact 2	UPC
Cable type	Simplex
Number of fibers	1
Core Diameter (um)	9/125 - Singlemode

Extended Specifications

Transmission speed	10Gbps
Jacket material	LSZH




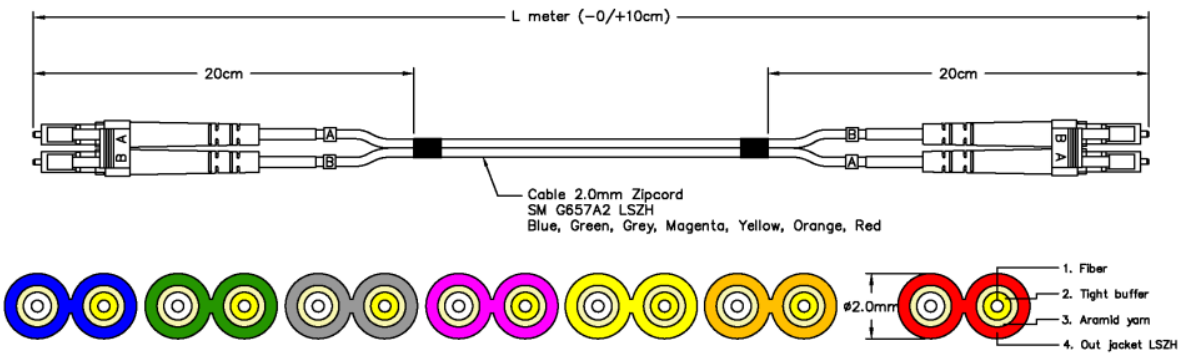
Anti-kink sleeve	Moulded
Optical Return Loss (dB)	≤ 0.3 dB
Cable Diameter (mm)	2
Halogenfree	✓
Fire retardant version	✓
Certifications	CE, RoHS

Single packaging

Unit	PCE
Quantity	1

Dimensional Sketches


 LinkIT FiberPatch SM G657A2 LC/LC Blue, Green, Grey, Magenta, Yellow, Orange, Red



Cable 2.0mm Zipcord
 SM G657A2 LSZH
 Blue, Green, Grey, Magenta, Yellow, Orange, Red

Specifications			
Connector type:	LC-LC	Insertion loss:	≤0.3dB
Fiber mode:	SM G657A2	Return loss:	≥55dB
Fiber grade:	G.657.A2 and G.652.D	Wave length:	1310/1550nm
Polish type:	UPC	Optimized Data rate:	xx
Cable jacket:	LSZH	Durability:	500 matings
Color:	Blue, Green, Grey, Magenta, Yellow, Orange, Red	Operating/storage temp:	-40°C ~ +75°C
Cable diameter:	2mm	Fire properties:	Fire retardant and halogen-free IEC 60332-3-24, IEC 60332-1-2, IEC 61034, IEC 60754-1
Minimum bend radius:	20mm	IEC standards:	All CENELEC standards required
Tensile loads:	150N		

