

Network Cable Fiber



LinkIT fiber patch OS2 ST/SC 20 m

Duplex | SM | LSZH | Yellow

Product number: FPD92TUSU-200

Product Description

LinkIT fiber cord OS2 cable for smaller losses with small bending diameter (down to 20 mm). For standard fiber cable, bending diameters over 60mm are recommended. The cable has UPC polished connectors for maximum dimming of return light. For 10Gb.

Main Specifications

| | |
|---------------------------|--------------------|
| Brand | LinkIT |
| Color | Yellow |
| Length (m) | 20 |
| Category | OS2 |
| Connector type 1 | ST |
| Connector type 2 | SC |
| Cable type | Duplex |
| Wave length (nm) | 1310/1550 |
| Core Diameter (um) | 9/125 - Singlemode |

Extended Specifications

| | |
|---------------------------------|-------------------------------------------------------|
| Jacket material | LSZH |
| Optical Return Loss (dB) | > 55 |
| Insertion Loss (dB) | < 0.3 |
| Operating Temperature | - 40°C ~ +75°C |
| Storage Temperature | - 40°C ~ +75°C |
| Cable Diameter (mm) | 2 |
| Fire properties | IEC-60332-3-24, IEC 60332-1-2, IEC 61034, IEC 60754-1 |




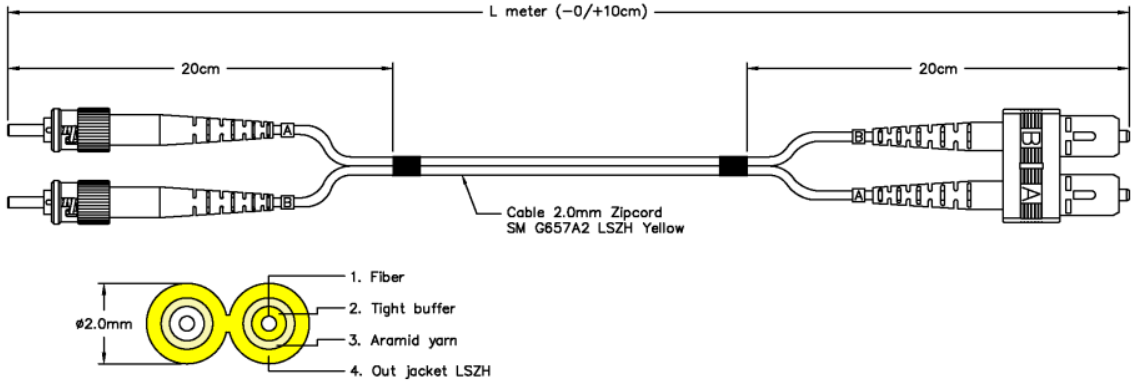
| | |
|------------------------|----------|
| Halogenfree | ✓ |
| Fire retardant version | ✓ |
| Bending radius (mm) | 20 |
| Tensile loads (N) | 150 |
| Certifications | CE, RoHS |

Single packaging

Unit PCE

Dimensional Sketches

 LinkIT FiberPatch SM G657A2 ST/SC Yellow



Cable 2.0mm Zipcord
SM G657A2 LSZH Yellow

| Specifications | | | |
|----------------------|----------------------|-------------------------|---------------------------------------------------------------------------------------|
| Connector type: | ST-SC | Insertion loss: | ≤0.3dB |
| Fiber mode: | SM G657A2 | Return loss: | ≥55dB |
| Fiber grade: | G.657.A2 and G.652.D | Wave length: | 1310/1550nm |
| Polish type: | UPC | Optimized Data rate: | xx |
| Cable jacket: | LSZH | Durability: | 500 matings |
| Color: | Yellow | Operating/storage temp: | -40°C ~ +75°C |
| Cable diameter: | 2mm | Fire properties: | Fire retardant and halogen-free IEC 60332-3-24, IEC 60332-1-2, IEC 61034, IEC 60754-1 |
| Minimum bend radius: | 20mm | IEC standards: | All CENELEC standards required |
| Tensile loads: | 150N | | |

