



Power Cable

**LinkIT Power Cable C15/C14 LSZH
halogenfree Black 0.5 m**
LSZH 3 x 1,5 mm²

Product number: NYEC15C14-05M-HF
EI-number: 6955938

Product Description

Halogenfree power cable with C15 contact. Kompatibel with HP: 450090-B21. Corresponds to Cisco CAB-C15-CBN. straight contact at both sides. Certifications: RoHs, CE, VDE.

Main Specifications

Brand	LinkIT
Color	Black
Length (m)	0,5
Connector type 1	C15 (F)
Connector type 2	C14 (M)
Conductor material	3 Wire
Number of conductors	3

Extended Specifications

NVP value	69%
Jacket material	LSZH
Angle contact 1	Straight
Angle Contact 2	Straight
Voltage	AC 110-250V
Amperage	10A
Conductor colour code	Brown, Blue, Green, Yellow
Gauge	3X1.0MM2
Operating Temperature	-20 - 70 °C
Halogenfree	✓

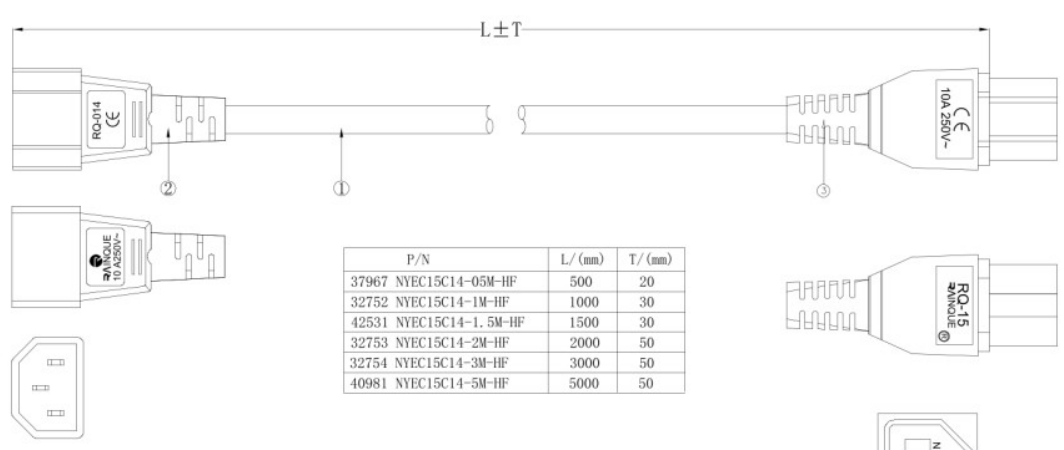
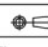
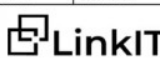
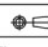
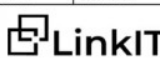
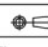
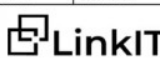


With Earthing	✓
EAN	7090033564740
Certifications	VDE, CE, RoHS

Single packaging

GTIN f-pak	7090033564740
Unit	PCE
Quantity	1
Height (cm)	13
Width (cm)	13
Length(cm)	4
Weight (kg)	0,09
Gross Weight (kg)	0,1

Dimensional Sketches

RevNo.	Revision note	Date	Signature	Checked																																																						
																																																										
<table border="1" style="margin: auto;"> <thead> <tr> <th>P/N</th> <th>L/(mm)</th> <th>T/(mm)</th> </tr> </thead> <tbody> <tr> <td>37967 NYEC15C14-05M-HF</td> <td>500</td> <td>20</td> </tr> <tr> <td>32752 NYEC15C14-1M-HF</td> <td>1000</td> <td>30</td> </tr> <tr> <td>42531 NYEC15C14-1.5M-HF</td> <td>1500</td> <td>30</td> </tr> <tr> <td>32753 NYEC15C14-2M-HF</td> <td>2000</td> <td>50</td> </tr> <tr> <td>32754 NYEC15C14-3M-HF</td> <td>3000</td> <td>50</td> </tr> <tr> <td>40981 NYEC15C14-5M-HF</td> <td>5000</td> <td>50</td> </tr> </tbody> </table>					P/N	L/(mm)	T/(mm)	37967 NYEC15C14-05M-HF	500	20	32752 NYEC15C14-1M-HF	1000	30	42531 NYEC15C14-1.5M-HF	1500	30	32753 NYEC15C14-2M-HF	2000	50	32754 NYEC15C14-3M-HF	3000	50	40981 NYEC15C14-5M-HF	5000	50																																	
P/N	L/(mm)	T/(mm)																																																								
37967 NYEC15C14-05M-HF	500	20																																																								
32752 NYEC15C14-1M-HF	1000	30																																																								
42531 NYEC15C14-1.5M-HF	1500	30																																																								
32753 NYEC15C14-2M-HF	2000	50																																																								
32754 NYEC15C14-3M-HF	3000	50																																																								
40981 NYEC15C14-5M-HF	5000	50																																																								
<p>NOTES:</p> <ol style="list-style-type: none"> 1. Open/Short/Intermittence:100% 2. Rated voltage:250V 3. Rated current:10A 4. Max. Working Temperature:70°C 5. IEC/TC20 Class:IP22 6. RoHS & REACH Compliant 																																																										
<table border="1" style="width: 100%; border-collapse: collapse;"> <thead> <tr> <th>NO.</th> <th>MATERIAL</th> <th>DESCRIPTION</th> <th>QTY.</th> <th>UNIT</th> <th>Itemref</th> <th>Quantity</th> <th>Title/Name, designation, material, dimension etc</th> <th>Article NO./Reference</th> </tr> </thead> <tbody> <tr> <td>②</td> <td>PLUG</td> <td>C15-RQ015 PVC/BLACK</td> <td>1</td> <td>PCS</td> <td>Designed by FLY</td> <td>1</td> <td></td> <td></td> </tr> <tr> <td>②</td> <td>PLUG</td> <td>C14-RQ014 PVC/BLACK</td> <td>1</td> <td>PCS</td> <td>Checked by HELEN</td> <td>1</td> <td></td> <td></td> </tr> <tr> <td>①</td> <td>CABLE</td> <td>H05Z1Z1-F 3*1.5mm² SOFT LSZH/BLACK JACKET OD:7.8±0.2mm MARKING:CE H05Z1Z1-F 3G1.5mm² Yuyao Rainque Electric Co.,Ltd RAINQUE M.2021.10.3.UY1425</td> <td>L</td> <td>M</td> <td>Approved by - date 2023.02.13</td> <td></td> <td>File name</td> <td>Date 2023.02.13</td> </tr> <tr> <td colspan="5"></td> <td>ANGLE: </td> <td></td> <td>C14 TO C15 3*1.5mm² LSZH</td> <td>Scale FREE</td> </tr> <tr> <td colspan="5"></td> <td>UNIT:MM</td> <td></td> <td></td> <td>Edition 1 Sheet 1/1</td> </tr> </tbody> </table>					NO.	MATERIAL	DESCRIPTION	QTY.	UNIT	Itemref	Quantity	Title/Name, designation, material, dimension etc	Article NO./Reference	②	PLUG	C15-RQ015 PVC/BLACK	1	PCS	Designed by FLY	1			②	PLUG	C14-RQ014 PVC/BLACK	1	PCS	Checked by HELEN	1			①	CABLE	H05Z1Z1-F 3*1.5mm ² SOFT LSZH/BLACK JACKET OD:7.8±0.2mm MARKING:CE H05Z1Z1-F 3G1.5mm ² Yuyao Rainque Electric Co.,Ltd RAINQUE M.2021.10.3.UY1425	L	M	Approved by - date 2023.02.13		File name	Date 2023.02.13						ANGLE: 		C14 TO C15 3*1.5mm ² LSZH	Scale FREE						UNIT:MM			Edition 1 Sheet 1/1
NO.	MATERIAL	DESCRIPTION	QTY.	UNIT	Itemref	Quantity	Title/Name, designation, material, dimension etc	Article NO./Reference																																																		
②	PLUG	C15-RQ015 PVC/BLACK	1	PCS	Designed by FLY	1																																																				
②	PLUG	C14-RQ014 PVC/BLACK	1	PCS	Checked by HELEN	1																																																				
①	CABLE	H05Z1Z1-F 3*1.5mm ² SOFT LSZH/BLACK JACKET OD:7.8±0.2mm MARKING:CE H05Z1Z1-F 3G1.5mm ² Yuyao Rainque Electric Co.,Ltd RAINQUE M.2021.10.3.UY1425	L	M	Approved by - date 2023.02.13		File name	Date 2023.02.13																																																		
					ANGLE: 		C14 TO C15 3*1.5mm ² LSZH	Scale FREE																																																		
					UNIT:MM			Edition 1 Sheet 1/1																																																		

