

Power Cable

LinkIT Power Cable CEE 7/7 - C13 White 1.0 m

Angled Schuko - C13, PVC, 3x 0,75 mm²

Product number: NYESC13-1M-H

EI-number: 6955986

Product Description

This cable is normally used as a power cable to monitor or PC. CEE 7/7 right angle. Certifications: RoHs, CE, VDE.

Main Specifications

Brand	LinkIT
Color	White
Length (m)	1
Connector type 1	CEE 7/7
Connector type 2	C13 (F)
Conductor material	3 Wire
Number of conductors	3

Extended Specifications

NVP value	69%
Jacket material	PVC
Angle contact 1	Angeled
Angle Contact 2	Straight
Voltage	AC 110-250V
Amperage	10A
Conductor colour code	Brown, Blue, Green, Yellow
Gauge	3X0.75MM2
Operating Temperature	-20 - 70 °C
Halogenfree	X

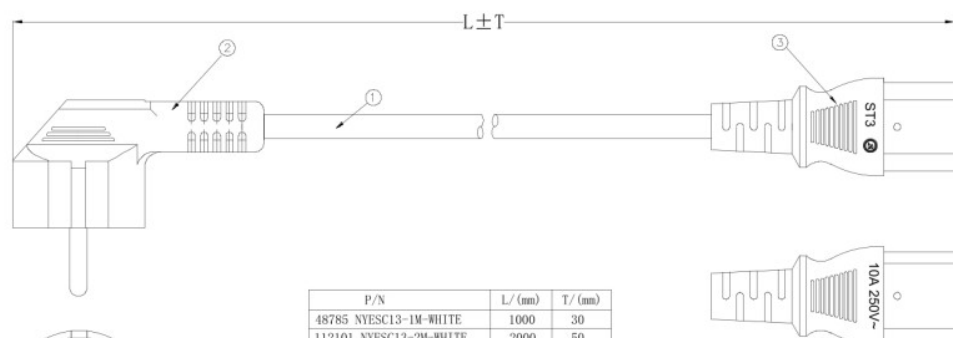



With Earthing	✓
EAN	7072662016401
Certifications	VDE, CE, RoHS, REACH

Single packaging

GTIN f-pak	7072662016401
Unit	PCE
Quantity	1
Height (cm)	20
Width (cm)	8
Length(cm)	3,5
Weight (kg)	0,09
Gross Weight (kg)	0,1

Dimensional Sketches

RevNo, Revision note	Date	Signature	Checked																				
																							
<table border="1" style="margin: auto;"> <thead> <tr> <th>P/N</th> <th>L/(mm)</th> <th>T/(mm)</th> </tr> </thead> <tbody> <tr> <td>48785 NYESC13-1M-WHITE</td> <td>1000</td> <td>30</td> </tr> <tr> <td>112101 NYESC13-2M-WHITE</td> <td>2000</td> <td>50</td> </tr> </tbody> </table>				P/N	L/(mm)	T/(mm)	48785 NYESC13-1M-WHITE	1000	30	112101 NYESC13-2M-WHITE	2000	50											
P/N	L/(mm)	T/(mm)																					
48785 NYESC13-1M-WHITE	1000	30																					
112101 NYESC13-2M-WHITE	2000	50																					
<p>NOTES:</p> <ol style="list-style-type: none"> 1. Open/Short/Intermittence:100% 2. Rated voltage:250V 3. Rated current:10A 4. Max. Working Temperature:70°C 5. IEC/TC20 Class:IP22 6. RoHS & REACH Compliant 																							
<table border="1" style="width: 100%; border-collapse: collapse;"> <thead> <tr> <th>③</th> <th>PLUG</th> <th>ST3:C13 PVC/WHITE</th> <th>1</th> <th>PCS</th> </tr> </thead> <tbody> <tr> <td>②</td> <td>PLUG</td> <td>S03:Angled Schuko PVC/WHITE</td> <td>1</td> <td>PCS</td> </tr> <tr> <td>①</td> <td>CABLE</td> <td>H05VV-F 3*0.75mm² PVC/WHITE JACKET OD:6.5±0.2mm MARKING:<VDE> H05VV-F 3G0.75mm² NINGBO OUSHENG</td> <td>L</td> <td>M</td> </tr> <tr> <td>NO.</td> <td>MATERIAL</td> <td>DESCRIPTION</td> <td>QTY.</td> <td>UNIT</td> </tr> </tbody> </table>				③	PLUG	ST3:C13 PVC/WHITE	1	PCS	②	PLUG	S03:Angled Schuko PVC/WHITE	1	PCS	①	CABLE	H05VV-F 3*0.75mm ² PVC/WHITE JACKET OD:6.5±0.2mm MARKING:<VDE> H05VV-F 3G0.75mm ² NINGBO OUSHENG	L	M	NO.	MATERIAL	DESCRIPTION	QTY.	UNIT
③	PLUG	ST3:C13 PVC/WHITE	1	PCS																			
②	PLUG	S03:Angled Schuko PVC/WHITE	1	PCS																			
①	CABLE	H05VV-F 3*0.75mm ² PVC/WHITE JACKET OD:6.5±0.2mm MARKING:<VDE> H05VV-F 3G0.75mm ² NINGBO OUSHENG	L	M																			
NO.	MATERIAL	DESCRIPTION	QTY.	UNIT																			
<table border="1" style="width: 100%; border-collapse: collapse;"> <thead> <tr> <th>Ltemref</th> <th>Quantity</th> <th>Title/Name, designation, material, dimension etc</th> <th>Article NO./Reference</th> </tr> </thead> <tbody> <tr> <td>Designed by FLY</td> <td>Checkde by HELEN</td> <td>Approved by - date 2023.02.23</td> <td>File name Date 2023.02.23</td> </tr> <tr> <td colspan="2"> ANGLE: </td> <td colspan="2">Angled Schuko TO C13 3*0.75mm²</td> </tr> </tbody> </table>		Ltemref	Quantity	Title/Name, designation, material, dimension etc	Article NO./Reference	Designed by FLY	Checkde by HELEN	Approved by - date 2023.02.23	File name Date 2023.02.23	ANGLE:		Angled Schuko TO C13 3*0.75mm ²											
Ltemref	Quantity	Title/Name, designation, material, dimension etc	Article NO./Reference																				
Designed by FLY	Checkde by HELEN	Approved by - date 2023.02.23	File name Date 2023.02.23																				
ANGLE:		Angled Schuko TO C13 3*0.75mm ²																					
UNIT:MM		Edition 1 Sheet 1/1																					

