

## Power Cable

### LinkIT Power Cable CEE 7/7 - C13 Black PVC 5.0 m

PVC 3 x 1,0 mm<sup>2</sup>

Product number: NYESC13-5M

EI-number: 6955979

## Product Description

Power cable with CEE 7/7 (angled) to C13 contacts in black color. This cable is normally used as a power cable to monitor or PC. Certifications: RoHs, CE, VDE.

## Main Specifications

<b>Brand</b>	LinkIT
<b>Color</b>	Black
<b>Length (m)</b>	5
<b>Connector type 1</b>	CEE 7/7
<b>Connector type 2</b>	C13 (F)
<b>Conductor material</b>	3 Wire
<b>Number of conductors</b>	3

## Extended Specifications

<b>NVP value</b>	69%
<b>Jacket material</b>	PVC
<b>Angle contact 1</b>	Angeled
<b>Angle Contact 2</b>	Straight
<b>Voltage</b>	AC 110-250V
<b>Amperage</b>	10A
<b>Conductor colour code</b>	Brown, Blue, Green, Yellow
<b>Gauge</b>	3X1.0MM2
<b>Operating Temperature</b>	-20 - 70 °C
<b>Halogenfree</b>	X

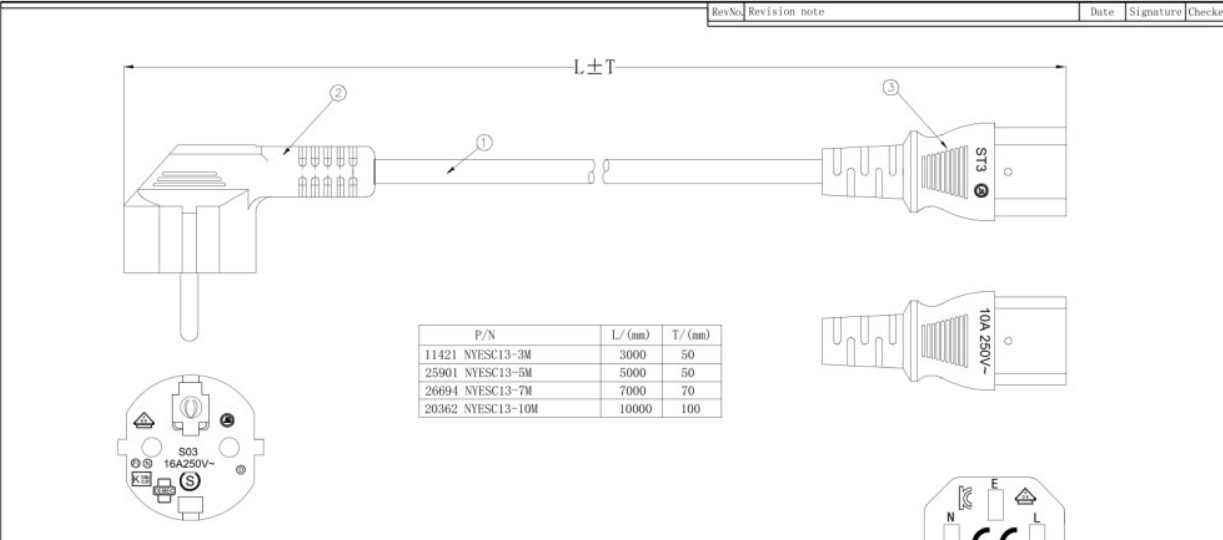

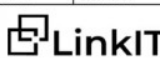

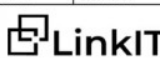

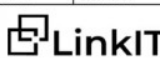


With Earthing	✓
EAN	7090033567826
Certifications	VDE, CE, RoHS, REACH

## Single packaging

GTIN f-pak	7090033567826
Unit	PCE
Quantity	1
Height (cm)	30
Width (cm)	13
Length(cm)	6
Weight (kg)	0,3
Gross Weight (kg)	0,32

## Dimensional Sketches

RevNo.	Revision note	Date	Signature	Checked																				
																								
<table border="1" style="margin: auto;"> <thead> <tr> <th>P/N</th> <th>L/ (mm)</th> <th>T/ (mm)</th> </tr> </thead> <tbody> <tr> <td>11421 NYESC13-3M</td> <td>3000</td> <td>50</td> </tr> <tr> <td>25901 NYESC13-5M</td> <td>5000</td> <td>50</td> </tr> <tr> <td>26694 NYESC13-7M</td> <td>7000</td> <td>70</td> </tr> <tr> <td>20362 NYESC13-10M</td> <td>10000</td> <td>100</td> </tr> </tbody> </table>					P/N	L/ (mm)	T/ (mm)	11421 NYESC13-3M	3000	50	25901 NYESC13-5M	5000	50	26694 NYESC13-7M	7000	70	20362 NYESC13-10M	10000	100					
P/N	L/ (mm)	T/ (mm)																						
11421 NYESC13-3M	3000	50																						
25901 NYESC13-5M	5000	50																						
26694 NYESC13-7M	7000	70																						
20362 NYESC13-10M	10000	100																						
<p>NOTES:</p> <ol style="list-style-type: none"> <li>1. Open/Short/Intermittence:100%</li> <li>2. Rated voltage:250V</li> <li>3. Rated current:10A</li> <li>4. Max. Working Temperature:70°C</li> <li>5. IEC/TC20 Class:IP22</li> <li>6. RoHS &amp; REACH Compliant</li> </ol>																								
<table border="1" style="width: 100%; border-collapse: collapse;"> <thead> <tr> <th>Itemref</th> <th>Quantity</th> <th>Title/Name, designation, material, dimension etc</th> <th>Article NO./Reference</th> </tr> </thead> <tbody> <tr> <td>①</td> <td>1</td> <td>PLUG ST3:C13 PVC/BLACK</td> <td>1 PCS</td> </tr> <tr> <td>②</td> <td>1</td> <td>PLUG S03:Angled Schuko PVC/BLACK</td> <td>1 PCS</td> </tr> <tr> <td>③</td> <td>L</td> <td>CABLE H05VV-F 3*1.0mm<sup>2</sup> PVC/BLACK JACKET OD:6.8±0.2mm MARKING: &lt;VDE&gt; H05VV-F 3G1.0mm<sup>2</sup> NINGBO OUSHENG</td> <td>MM</td> </tr> </tbody> </table>					Itemref	Quantity	Title/Name, designation, material, dimension etc	Article NO./Reference	①	1	PLUG ST3:C13 PVC/BLACK	1 PCS	②	1	PLUG S03:Angled Schuko PVC/BLACK	1 PCS	③	L	CABLE H05VV-F 3*1.0mm <sup>2</sup> PVC/BLACK JACKET OD:6.8±0.2mm MARKING: <VDE> H05VV-F 3G1.0mm <sup>2</sup> NINGBO OUSHENG	MM				
Itemref	Quantity	Title/Name, designation, material, dimension etc	Article NO./Reference																					
①	1	PLUG ST3:C13 PVC/BLACK	1 PCS																					
②	1	PLUG S03:Angled Schuko PVC/BLACK	1 PCS																					
③	L	CABLE H05VV-F 3*1.0mm <sup>2</sup> PVC/BLACK JACKET OD:6.8±0.2mm MARKING: <VDE> H05VV-F 3G1.0mm <sup>2</sup> NINGBO OUSHENG	MM																					
<table border="1" style="width: 100%; border-collapse: collapse;"> <thead> <tr> <th>NO.</th> <th>MATERIAL</th> <th>DESCRIPTION</th> <th>QTY.</th> <th>UNIT</th> </tr> </thead> <tbody> <tr> <td>①</td> <td></td> <td></td> <td></td> <td></td> </tr> <tr> <td>②</td> <td></td> <td></td> <td></td> <td></td> </tr> <tr> <td>③</td> <td></td> <td></td> <td></td> <td></td> </tr> </tbody> </table>					NO.	MATERIAL	DESCRIPTION	QTY.	UNIT	①					②					③				
NO.	MATERIAL	DESCRIPTION	QTY.	UNIT																				
①																								
②																								
③																								
<table border="1" style="width: 100%; border-collapse: collapse;"> <thead> <tr> <th>Designed by</th> <th>Checkde by</th> <th>Approved by - date</th> <th>File name</th> <th>Date</th> <th>Scale</th> </tr> </thead> <tbody> <tr> <td>FLY</td> <td>HELEN</td> <td>2023.02.23</td> <td></td> <td>2023.02.23</td> <td>FREE</td> </tr> </tbody> </table>					Designed by	Checkde by	Approved by - date	File name	Date	Scale	FLY	HELEN	2023.02.23		2023.02.23	FREE								
Designed by	Checkde by	Approved by - date	File name	Date	Scale																			
FLY	HELEN	2023.02.23		2023.02.23	FREE																			
<table border="1" style="width: 100%; border-collapse: collapse;"> <thead> <tr> <th>ANGLE:</th> <th>LinkIT</th> <th>Angled Schuko TO C13 3*1.0mm<sup>2</sup></th> <th>Edition</th> <th>Sheet</th> </tr> </thead> <tbody> <tr> <td>  </td> <td>  </td> <td></td> <td>1</td> <td>1/1</td> </tr> </tbody> </table>					ANGLE:	LinkIT	Angled Schuko TO C13 3*1.0mm <sup>2</sup>	Edition	Sheet				1	1/1										
ANGLE:	LinkIT	Angled Schuko TO C13 3*1.0mm <sup>2</sup>	Edition	Sheet																				
			1	1/1																				

