

Power Cable

LinkIT Power Cable CEE 7/7 - C13 Black LSZH 0.5m

LSZH 3 x 1,5 mm²

Product number: NYESCC13-05M-HF

EI-number: 6955967

Product Description

Halogenfree power cable with CEE 7/7 to C13 in black color. This cable is normally used as a power cable to monitor or PC. Halogenfri cable. CEE 7/7 right angle. Certifications: RoHs, CE, VDE.

Main Specifications

Brand	LinkIT
Color	Black
Length (m)	0,5
Connector type 1	CEE 7/7
Connector type 2	C13 (F)
Conductor material	3 Wire
Number of conductors	3

Extended Specifications

NVP value	69%
Jacket material	LSZH
Angle contact 1	Angeled
Angle Contact 2	Straight
Voltage	AC 110-250V
Amperage	10A
Conductor colour code	Brown, Blue, Green, Yellow
Gauge	3X1.0MM2
Operating Temperature	-20 - 70 °C
Halogenfree	✓

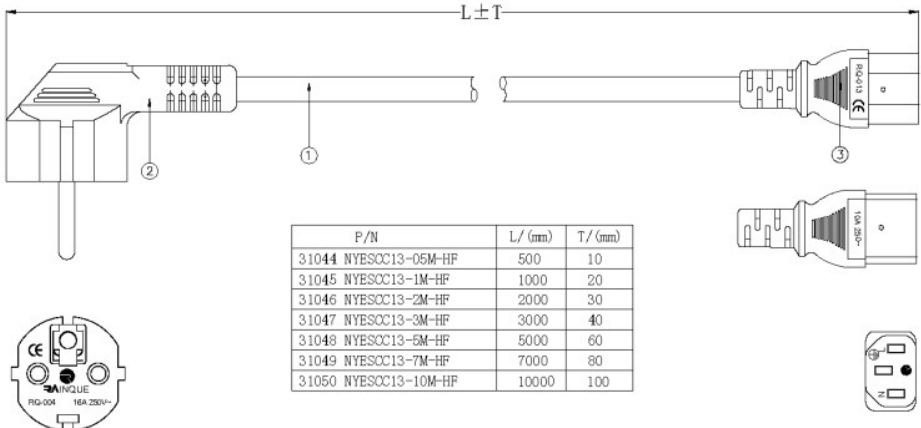








With Earthing	✓
EAN	7090033564818
Certifications	VDE, CE, RoHS, REACH

Single packaging

GTIN f-pak	7090033564818
Unit	PCE
Quantity	1
Height (cm)	18
Width (cm)	18
Length(cm)	4
Weight (kg)	0,33
Gross Weight (kg)	0,1

Dimensional Sketches

Rev.No.	Revision note	Date	Signature	Checked																																																					
																																																									
<table border="1" style="margin: auto;"> <thead> <tr> <th>P/N</th> <th>L/ (mm)</th> <th>T/ (mm)</th> </tr> </thead> <tbody> <tr><td>31044 NYESCC13-05M-HF</td><td>500</td><td>10</td></tr> <tr><td>31045 NYESCC13-1M-HF</td><td>1000</td><td>20</td></tr> <tr><td>31046 NYESCC13-2M-HF</td><td>2000</td><td>30</td></tr> <tr><td>31047 NYESCC13-3M-HF</td><td>3000</td><td>40</td></tr> <tr><td>31048 NYESCC13-5M-HF</td><td>5000</td><td>60</td></tr> <tr><td>31049 NYESCC13-7M-HF</td><td>7000</td><td>80</td></tr> <tr><td>31050 NYESCC13-10M-HF</td><td>10000</td><td>100</td></tr> </tbody> </table>					P/N	L/ (mm)	T/ (mm)	31044 NYESCC13-05M-HF	500	10	31045 NYESCC13-1M-HF	1000	20	31046 NYESCC13-2M-HF	2000	30	31047 NYESCC13-3M-HF	3000	40	31048 NYESCC13-5M-HF	5000	60	31049 NYESCC13-7M-HF	7000	80	31050 NYESCC13-10M-HF	10000	100																													
P/N	L/ (mm)	T/ (mm)																																																							
31044 NYESCC13-05M-HF	500	10																																																							
31045 NYESCC13-1M-HF	1000	20																																																							
31046 NYESCC13-2M-HF	2000	30																																																							
31047 NYESCC13-3M-HF	3000	40																																																							
31048 NYESCC13-5M-HF	5000	60																																																							
31049 NYESCC13-7M-HF	7000	80																																																							
31050 NYESCC13-10M-HF	10000	100																																																							
<p>NOTES:</p> <ol style="list-style-type: none"> 1. Open/Short/Intermittence:100% 2. Rated voltage:250V 3. Rated current:10A 4. Max. Working Temperature:70°C 5. IEC/TC20 Class:IP22 6. RoHS & REACH Compliant 																																																									
<table border="1" style="width: 100%; border-collapse: collapse;"> <thead> <tr> <th>NO.</th> <th>MATERIAL</th> <th>DESCRIPTION</th> <th>QTY.</th> <th>UNIT</th> <th>Ltserial</th> <th>Quantity</th> <th>Title/Name, designation, material, dimension etc</th> <th>Article NO./Reference</th> </tr> </thead> <tbody> <tr> <td>③</td> <td>PLUG</td> <td>RQ013:C13 PVC/BLACK</td> <td>1</td> <td>PCS</td> <td>Designed by</td> <td>Checkde by</td> <td>Approved by - date</td> <td>File name</td> <td>Date</td> <td>Scale</td> </tr> <tr> <td>②</td> <td>PLUG</td> <td>RQ004:Angled Schuko PVC/BLACK</td> <td>1</td> <td>PCS</td> <td>FLY</td> <td>HLEN</td> <td>2023.02.23</td> <td></td> <td>2023.02.23</td> <td>FREE</td> </tr> <tr> <td>①</td> <td>CABLE</td> <td>H05Z1Z1-F 3*1.5mm² SOFT LSZH/BLACK JACKET OD:7.9 ± 0.2mm MARKING: CE H05Z1Z1-F 3G1.5mm² Yuyao Rainque Electric Co., Ltd INQUIRE M.2021.10.3.UY1425</td> <td>L</td> <td>M</td> <td colspan="2"> ANGLE:  </td> <td colspan="2">Angled Schuko TO C13 341.5mm² LSZH</td> <td colspan="2"></td> </tr> <tr> <td colspan="5"></td> <td>UNIT:MM</td> <td colspan="2" style="text-align: center;"></td> <td colspan="2" style="text-align: right;">Edition 1</td> <td style="text-align: right;">Sheet 1/1</td> </tr> </tbody> </table>					NO.	MATERIAL	DESCRIPTION	QTY.	UNIT	Ltserial	Quantity	Title/Name, designation, material, dimension etc	Article NO./Reference	③	PLUG	RQ013:C13 PVC/BLACK	1	PCS	Designed by	Checkde by	Approved by - date	File name	Date	Scale	②	PLUG	RQ004:Angled Schuko PVC/BLACK	1	PCS	FLY	HLEN	2023.02.23		2023.02.23	FREE	①	CABLE	H05Z1Z1-F 3*1.5mm ² SOFT LSZH/BLACK JACKET OD:7.9 ± 0.2mm MARKING: CE H05Z1Z1-F 3G1.5mm ² Yuyao Rainque Electric Co., Ltd INQUIRE M.2021.10.3.UY1425	L	M	ANGLE: 		Angled Schuko TO C13 341.5mm ² LSZH									UNIT:MM			Edition 1		Sheet 1/1
NO.	MATERIAL	DESCRIPTION	QTY.	UNIT	Ltserial	Quantity	Title/Name, designation, material, dimension etc	Article NO./Reference																																																	
③	PLUG	RQ013:C13 PVC/BLACK	1	PCS	Designed by	Checkde by	Approved by - date	File name	Date	Scale																																															
②	PLUG	RQ004:Angled Schuko PVC/BLACK	1	PCS	FLY	HLEN	2023.02.23		2023.02.23	FREE																																															
①	CABLE	H05Z1Z1-F 3*1.5mm ² SOFT LSZH/BLACK JACKET OD:7.9 ± 0.2mm MARKING: CE H05Z1Z1-F 3G1.5mm ² Yuyao Rainque Electric Co., Ltd INQUIRE M.2021.10.3.UY1425	L	M	ANGLE: 		Angled Schuko TO C13 341.5mm ² LSZH																																																		
					UNIT:MM			Edition 1		Sheet 1/1																																															

