



Power Cable

LinkIT Power Cable CEE 7/7 - C13 Black LSZH 1m

LSZH 3 x 1,5 mm²

Product number: NYESCC13-1M-HF
EI-number: 6955968

Product Description

Halogenfree power cable with CEE 7/7 to C13 in black color. This cable is normally used as a power cable to monitor or PC. Halogenfri cable. CEE 7/7 right angle. Certifications: RoHs, CE, VDE.

Main Specifications

| | |
|-----------------------------|---------|
| Brand | LinkIT |
| Color | Black |
| Length (m) | 1 |
| Connector type 1 | CEE 7/7 |
| Connector type 2 | C13 (F) |
| Conductor material | 3 Wire |
| Number of conductors | 3 |

Extended Specifications

| | |
|------------------------------|----------------------------|
| NVP value | 69% |
| Jacket material | LSZH |
| Angle contact 1 | Angeled |
| Angle Contact 2 | Straight |
| Voltage | AC 110-250V |
| Amperage | 10A |
| Conductor colour code | Brown, Blue, Green, Yellow |
| Gauge | 3X1.0MM2 |
| Operating Temperature | -20 - 70 °C |
| Halogenfree | ✓ |



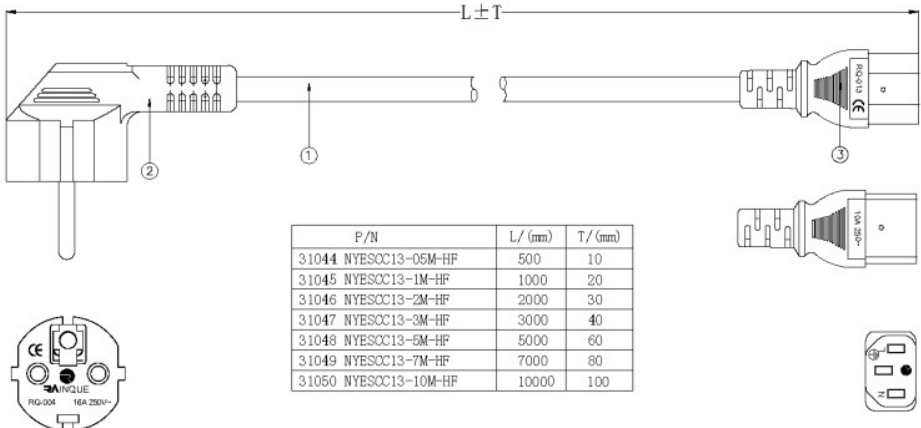
| | |
|----------------|----------------------|
| With Earthing | ✓ |
| EAN | 7072662002282 |
| Certifications | VDE, CE, RoHS, REACH |

Single packaging

| | |
|-------------------|---------------|
| GTIN f-pak | 7072662002282 |
| Unit | PCE |
| Quantity | 1 |
| Height (cm) | 18 |
| Width (cm) | 18 |
| Length(cm) | 4 |
| Weight (kg) | 0,14 |
| Gross Weight (kg) | 0,15 |

Dimensional Sketches

| RevNo. | Revision note | Date | Signature | Checked |
|--------|---------------|------|-----------|---------|
| | | | | |



| P/N | L/ (mm) | T/ (mm) |
|-----------------------|---------|---------|
| 31044 NYESCC13-05M-HF | 500 | 10 |
| 31045 NYESCC13-1M-HF | 1000 | 20 |
| 31046 NYESCC13-2M-HF | 2000 | 30 |
| 31047 NYESCC13-3M-HF | 3000 | 40 |
| 31048 NYESCC13-5M-HF | 5000 | 60 |
| 31049 NYESCC13-7M-HF | 7000 | 80 |
| 31050 NYESCC13-10M-HF | 10000 | 100 |

NOTES:

1. Open/Short/Intermittence:100%
2. Rated voltage:250V
3. Rated current:10A
4. Max. Working Temperature:70°C
5. IEC/TC20 Class:IP22
6. RoHS & REACH Compliant

| NO. | MATERIAL | DESCRIPTION | QTY. | UNIT |
|-----|----------|--|------|------|
| ③ | PLUG | RQ013:C13 PVC/BLACK | 1 | PCS |
| ② | PLUG | RQ004:Angled Schuko PVC/BLACK | 1 | PCS |
| ① | CABLE | H05Z1Z1-F 3*1.5mm ² SOFT LSZH/BLACK JACKET OD:7.9 ± 0.2mm MARKING: CE H05Z1Z1-F 3G1.5mm ² Yuyao Rainque Electric Co., Ltd. INQUIRE M. 2021.10.3.UY1425 | L | M |

| Ltserial | Quantity | Title/Name, designation, material, dimension etc | Article NO./Reference |
|--------------------|---------------------|--|---------------------------------|
| Designed by FLY | Checked by HELEN | Approved by - date 2023.02.23 | File name Date 2023.02.23 |
| ANGLE: | | Angled Schuko TO C13 341.5mm ² LSZH | |
| UNIT: MM | | | |
| | | Edition 1 Sheet 1/1 | |

