



Power Cable

LinkIT Power Cable CEE 7/7 to C5 Black 10 m Straight

PVC, 3 x 0.75 mm²

Product number: NYESCC5-10M

EI-number: 6956001

Product Description

"Mickey Mouse" cable with straight Schuko - C5. PVC 3 x 0,75 mm². CEE 7/7 straight.
 Certifications: RoHs, CE, VDE

Main Specifications

Brand	LinkIT
Color	Black
Length (m)	10
Connector type 1	CEE 7/7
Connector type 2	C5 (F)
Conductor material	3 Wire
Number of conductors	3

Extended Specifications

NVP value	69%
Jacket material	PVC
Angle contact 1	Straight
Angle Contact 2	Straight
Voltage	AC 110-250V
Amperage	2.5A
Conductor colour code	Brown, Blue, Green, Yellow
Gauge	3X1.0MM2
Operating Temperature	-20 - 70 °C
Halogenfree	X

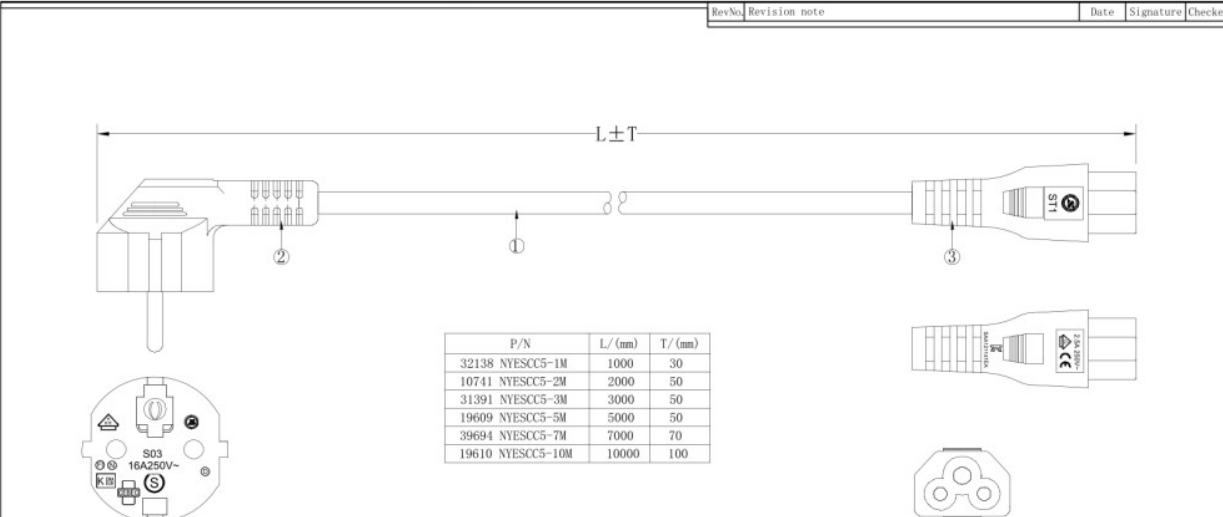



With Earthing	✓
EAN	7072662016470
Certifications	VDE, CE, RoHS, REACH

Single packaging

GTIN f-pak	7072662016470
Unit	PCE
Quantity	1
Height (cm)	25
Width (cm)	10
Length(cm)	4
Weight (kg)	0,33
Gross Weight (kg)	0,37

Dimensional Sketches

RevNo.	Revision note	Date	Signature	Checked																					
																									
<p>NOTES:</p> <ol style="list-style-type: none"> 1. Open/Short/Intermittence:100% 2. Rated voltage:250V 3. Rated current:2.5A 4. Max. Working Temperature:70°C 5. IEC/TC20 Class:IP22 6. RoHS & REACH Compliant 																									
<table border="1" style="width: 100%; border-collapse: collapse;"> <thead> <tr> <th>P/N</th> <th>L/ (mm)</th> <th>T/ (mm)</th> </tr> </thead> <tbody> <tr> <td>32138 NYESCC5-1M</td> <td>1000</td> <td>30</td> </tr> <tr> <td>10741 NYESCC5-2M</td> <td>2000</td> <td>50</td> </tr> <tr> <td>31391 NYESCC5-3M</td> <td>3000</td> <td>50</td> </tr> <tr> <td>19609 NYESCC5-5M</td> <td>5000</td> <td>50</td> </tr> <tr> <td>39694 NYESCC5-7M</td> <td>7000</td> <td>70</td> </tr> <tr> <td>19610 NYESCC5-10M</td> <td>10000</td> <td>100</td> </tr> </tbody> </table>					P/N	L/ (mm)	T/ (mm)	32138 NYESCC5-1M	1000	30	10741 NYESCC5-2M	2000	50	31391 NYESCC5-3M	3000	50	19609 NYESCC5-5M	5000	50	39694 NYESCC5-7M	7000	70	19610 NYESCC5-10M	10000	100
P/N	L/ (mm)	T/ (mm)																							
32138 NYESCC5-1M	1000	30																							
10741 NYESCC5-2M	2000	50																							
31391 NYESCC5-3M	3000	50																							
19609 NYESCC5-5M	5000	50																							
39694 NYESCC5-7M	7000	70																							
19610 NYESCC5-10M	10000	100																							
<table border="1" style="width: 100%; border-collapse: collapse;"> <thead> <tr> <th>Itemref</th> <th>Quantity</th> <th>Title/Name, designation, material, dimension etc</th> <th>Article NO. /Reference</th> </tr> </thead> <tbody> <tr> <td>③</td> <td>1</td> <td>PLUG ST1:C5 PVC/BLACK</td> <td></td> </tr> <tr> <td>②</td> <td>1</td> <td>PLUG S03:Angled Schuko PVC/BLACK</td> <td></td> </tr> <tr> <td>①</td> <td>L</td> <td>CABLE H05VV-F 3*0.75mm² PVC/BLACK JACKET OD:6.5±0.2mm MARKING: <VDE> H05VV-F 3G0.75mm² NINGBO OUSHENG</td> <td></td> </tr> </tbody> </table>					Itemref	Quantity	Title/Name, designation, material, dimension etc	Article NO. /Reference	③	1	PLUG ST1:C5 PVC/BLACK		②	1	PLUG S03:Angled Schuko PVC/BLACK		①	L	CABLE H05VV-F 3*0.75mm ² PVC/BLACK JACKET OD:6.5±0.2mm MARKING: <VDE> H05VV-F 3G0.75mm ² NINGBO OUSHENG						
Itemref	Quantity	Title/Name, designation, material, dimension etc	Article NO. /Reference																						
③	1	PLUG ST1:C5 PVC/BLACK																							
②	1	PLUG S03:Angled Schuko PVC/BLACK																							
①	L	CABLE H05VV-F 3*0.75mm ² PVC/BLACK JACKET OD:6.5±0.2mm MARKING: <VDE> H05VV-F 3G0.75mm ² NINGBO OUSHENG																							
<table border="1" style="width: 100%; border-collapse: collapse;"> <thead> <tr> <th>NO.</th> <th>MATERIAL</th> <th>DESCRIPTION</th> <th>QTY.</th> <th>UNIT</th> </tr> </thead> <tbody> <tr> <td>③</td> <td>PLUG</td> <td>ST1:C5 PVC/BLACK</td> <td>1</td> <td>PCS</td> </tr> <tr> <td>②</td> <td>PLUG</td> <td>S03:Angled Schuko PVC/BLACK</td> <td>1</td> <td>PCS</td> </tr> <tr> <td>①</td> <td>CABLE</td> <td>H05VV-F 3*0.75mm² PVC/BLACK JACKET OD:6.5±0.2mm MARKING: <VDE> H05VV-F 3G0.75mm² NINGBO OUSHENG</td> <td>L</td> <td>M</td> </tr> </tbody> </table>					NO.	MATERIAL	DESCRIPTION	QTY.	UNIT	③	PLUG	ST1:C5 PVC/BLACK	1	PCS	②	PLUG	S03:Angled Schuko PVC/BLACK	1	PCS	①	CABLE	H05VV-F 3*0.75mm ² PVC/BLACK JACKET OD:6.5±0.2mm MARKING: <VDE> H05VV-F 3G0.75mm ² NINGBO OUSHENG	L	M	
NO.	MATERIAL	DESCRIPTION	QTY.	UNIT																					
③	PLUG	ST1:C5 PVC/BLACK	1	PCS																					
②	PLUG	S03:Angled Schuko PVC/BLACK	1	PCS																					
①	CABLE	H05VV-F 3*0.75mm ² PVC/BLACK JACKET OD:6.5±0.2mm MARKING: <VDE> H05VV-F 3G0.75mm ² NINGBO OUSHENG	L	M																					
<table border="1" style="width: 100%; border-collapse: collapse;"> <thead> <tr> <th>Designed by</th> <th>Checked by</th> <th>Approved by - date</th> <th>File name</th> <th>Date</th> <th>Scale</th> </tr> </thead> <tbody> <tr> <td>FLY</td> <td>HELEN</td> <td>2023.02.22</td> <td></td> <td>2023.02.22</td> <td>FREE</td> </tr> </tbody> </table>					Designed by	Checked by	Approved by - date	File name	Date	Scale	FLY	HELEN	2023.02.22		2023.02.22	FREE									
Designed by	Checked by	Approved by - date	File name	Date	Scale																				
FLY	HELEN	2023.02.22		2023.02.22	FREE																				
																									
<table border="1" style="width: 100%; border-collapse: collapse;"> <thead> <tr> <th>UNIT:MM</th> <th>ANGLE:</th> <th>Article NO. /Reference</th> <th>Edition</th> <th>Sheet</th> </tr> </thead> <tbody> <tr> <td></td> <td></td> <td>Angled Schuko TO C5 3*0.75mm²</td> <td>1</td> <td>1/1</td> </tr> </tbody> </table>					UNIT:MM	ANGLE:	Article NO. /Reference	Edition	Sheet			Angled Schuko TO C5 3*0.75mm ²	1	1/1											
UNIT:MM	ANGLE:	Article NO. /Reference	Edition	Sheet																					
		Angled Schuko TO C5 3*0.75mm ²	1	1/1																					

