

Power Cable

LinkIT Power Cable CEE 7/7 to C5 Black 2 m Angled

LSZH 3 x 1,00 mm²

Product number: NYESCC5-2M-HF

Product Description

"Mickey Mouse" cable with angled Schuko - C5. PVC 3 x 0,75 mm². CEE 7/7 right angle.
 Certifications: RoHs, CE, VDE

Main Specifications

Brand	LinkIT
Color	Black
Length (m)	2
Connector type 1	CEE 7/7
Connector type 2	C5 (F)
Conductor material	3 Wire
Number of conductors	3

Extended Specifications

NVP value	69%
Jacket material	LSZH
Angle contact 1	Angeled
Angle Contact 2	Straight
Voltage	AC 110-250V
Amperage	2.5A
Conductor colour code	Brown, Blue, Green, Yellow
Gauge	3X1.0MM2
Operating Temperature	-20 - 70 °C
Halogenfree	V



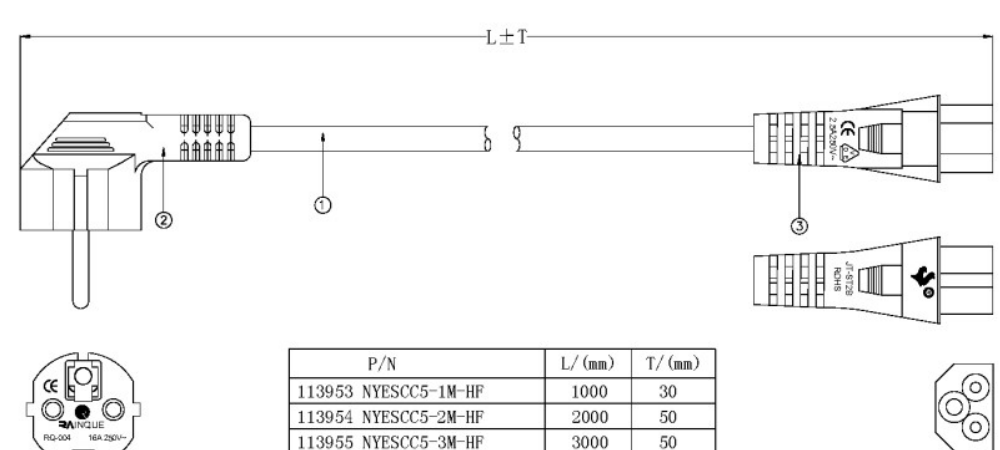
With Earthing	✓
EAN	7072662023225
Certifications	VDE, CE, RoHS, REACH

Single packaging

Unit	PCE
Quantity	1
Height (cm)	18
Width (cm)	18
Length(cm)	3
Weight (kg)	0,29
Gross Weight (kg)	0,31

Dimensional Sketches

Rev.No	Revision note	Date	Signature	Checked



P/N	L/ (mm)	T/ (mm)
113953 NYESCC5-1M-HF	1000	30
113954 NYESCC5-2M-HF	2000	50
113955 NYESCC5-3M-HF	3000	50


NOTES:


1. Open/Short/Interruption:100%
2. Rated voltage:250V
3. Rated current:2.5A
4. Max. Working Temperature:70°C
5. IEC/TC20 Class:IP22
6. RoHS & REACH Compliant

Item#	Quantity	Title/Name, designation, material, dimension etc	Article NO./Reference
① PLUG	1	JT-ST2B: C5 PVC/BLACK	PCS
② PLUG	1	RQ004:Angled Schuko PVC/BLACK	PCS
③ CABLE	L	H05Z1Z1-F 3*1.0mm ² SOFT LSZH/BLACK JACKET OD: 6.8±0.2mm MARKING: CE H05Z1Z1-F 3G1.0mm ² Yuyao Rainque Electric Co., Ltd. RAINQUE M. 2021.10.3.UY1425	M

NO.	MATERIAL	DESCRIPTION	QTY.	UNIT

Designed by	Checked by	Approved by - date	File name	Date	Scale
FLY	HELEN	2023.02.23		2023.02.23	FREE



UNIT:MM	Angle: 	Angled Schuko TO C5 3*1.0mm ² LSZH	Edition	Sheet
			1	1/1

