

Power Cable

LinkIT Power CEE 7/7 to C5 Black LSZH 3 m Angled

LSZH 3 x 0,75 mm²

Product number: NYESCC5-3M-HF

Product Description

"Mickey Mouse" cable with angled Schuko - C5. PVC 3 x 0,75 mm². CEE 7/7 right angle.
 Certifications: RoHs, CE, VDE

Main Specifications

Brand	LinkIT
Color	Black
Length (m)	3
Connector type 1	CEE 7/7
Connector type 2	C5 (F)
Conductor material	3 Wire
Number of conductors	3

Extended Specifications

NVP value	69%
Jacket material	LSZH
Angle contact 1	Angeled
Angle Contact 2	Straight
Voltage	AC 110-250V
Amperage	2.5A
Conductor colour code	Brown, Blue, Green, Yellow
Gauge	3 x 0,75 mm ²
Operating Temperature	-20 - 70 °C
Halogenfree	V

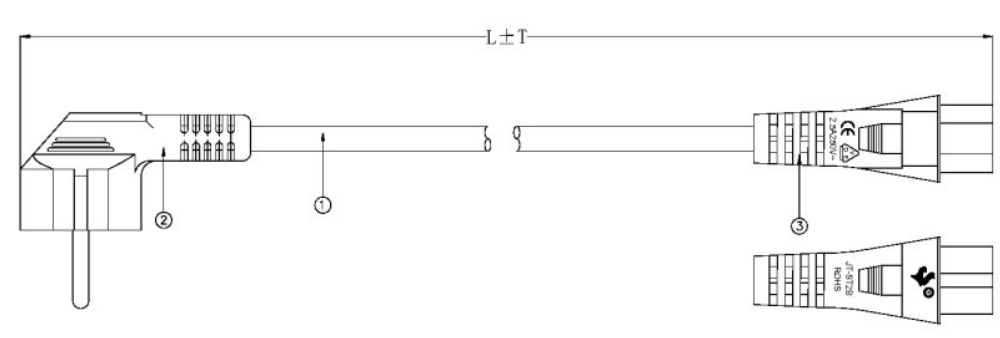







With Earthing	✓
EAN	7072662023249
Certifications	VDE, CE, RoHS, REACH

Single packaging

Unit	PCE
Quantity	1
Height (cm)	17
Width (cm)	6
Length(cm)	3,5
Weight (kg)	0,14
Gross Weight (kg)	0,15

Dimensional Sketches

Rev.No	Revision note	Date	Signature	Checked														
																		
		<table border="1"> <thead> <tr> <th>P/N</th> <th>L/ (mm)</th> <th>T/ (mm)</th> </tr> </thead> <tbody> <tr> <td>113953 NYESCC5-1M-HF</td> <td>1000</td> <td>30</td> </tr> <tr> <td>113954 NYESCC5-2M-HF</td> <td>2000</td> <td>50</td> </tr> <tr> <td>113955 NYESCC5-3M-HF</td> <td>3000</td> <td>50</td> </tr> </tbody> </table>	P/N	L/ (mm)	T/ (mm)	113953 NYESCC5-1M-HF	1000	30	113954 NYESCC5-2M-HF	2000	50	113955 NYESCC5-3M-HF	3000	50				
P/N	L/ (mm)	T/ (mm)																
113953 NYESCC5-1M-HF	1000	30																
113954 NYESCC5-2M-HF	2000	50																
113955 NYESCC5-3M-HF	3000	50																
<p>NOTES:</p> <ol style="list-style-type: none"> 1. Open/Short/Interruption:100% 2. Rated voltage:250V 3. Rated current:2.5A 4. Max. Working Temperature:70°C 5. IEC/TC20 Class:IP22 6. RoHS & REACH Compliant 																		
①	PLUG	JT-ST2B: C5 PVC/BLACK	1	PCS														
②	PLUG	RQ004:Angled Schuko PVC/BLACK	1	PCS														
③	CABLE	H05Z1Z1-F 3*1.0mm ² SOFT LSZH/BLACK JACKET OD: 6.8±0.2mm MARKING: CE H05Z1Z1-F 3G1.0mm ² Yuyao Rainque Electric Co., Ltd RAINQUE M. 2021.10.3.UY1425	L	MM														
NO.	MATERIAL	DESCRIPTION	QTY.	UNIT														
		<table border="1"> <thead> <tr> <th>Item#</th> <th>Quantity</th> <th>Title/Name, designation, material, dimension etc</th> <th>Article NO./Reference</th> </tr> </thead> <tbody> <tr> <td>Designed by</td> <td>Checked by</td> <td>Approved by - date</td> <td>File name</td> </tr> <tr> <td>FLY</td> <td>HELEN</td> <td>2023.02.23</td> <td>2023.02.23</td> </tr> <tr> <td colspan="2">ANGLE: </td> <td colspan="2">Angled Schuko TO C5 3*1.0mm² LSZH</td> </tr> </tbody> </table>	Item#	Quantity	Title/Name, designation, material, dimension etc	Article NO./Reference	Designed by	Checked by	Approved by - date	File name	FLY	HELEN	2023.02.23	2023.02.23	ANGLE: 		Angled Schuko TO C5 3*1.0mm ² LSZH	
Item#	Quantity	Title/Name, designation, material, dimension etc	Article NO./Reference															
Designed by	Checked by	Approved by - date	File name															
FLY	HELEN	2023.02.23	2023.02.23															
ANGLE: 		Angled Schuko TO C5 3*1.0mm ² LSZH																
		<table border="1"> <thead> <tr> <th>UNIT:MM</th> <th>Edition</th> <th>Sheet</th> </tr> </thead> <tbody> <tr> <td></td> <td style="text-align: center;">1</td> <td style="text-align: center;">1/1</td> </tr> </tbody> </table>	UNIT:MM	Edition	Sheet		1	1/1										
UNIT:MM	Edition	Sheet																
	1	1/1																

