

## Power Cable

### LinkIT Power Cable CEE 7/7 to C5 Black 3m

PVC 3 x 0,75 mm<sup>2</sup>

Product number: NYESCC5-3M

EI-number: 6955997

## Product Description

"Mickey Mouse" cable with angled Schuko - C5. PVC 3 x 0,75 mm<sup>2</sup>. CEE 7/7 right angle.  
Certifications: RoHs, CE, VDE

## Main Specifications

Brand	LinkIT
Color	Black
Length (m)	3
Connector type 1	CEE 7/7
Connector type 2	C5 (F)
Conductor material	3 Wire
Number of conductors	3

## Extended Specifications

NVP value	69%
Jacket material	PVC
Angle contact 1	Angeled
Angle Contact 2	Straight
Voltage	AC 110-250V
Amperage	2.5A
Conductor colour code	Brown, Blue, Green, Yellow
Gauge	3X0.75MM2
Operating Temperature	-20 - 70 °C
Halogenfree	X
With Earthing	√
EAN	7072662016500



**Certifications**

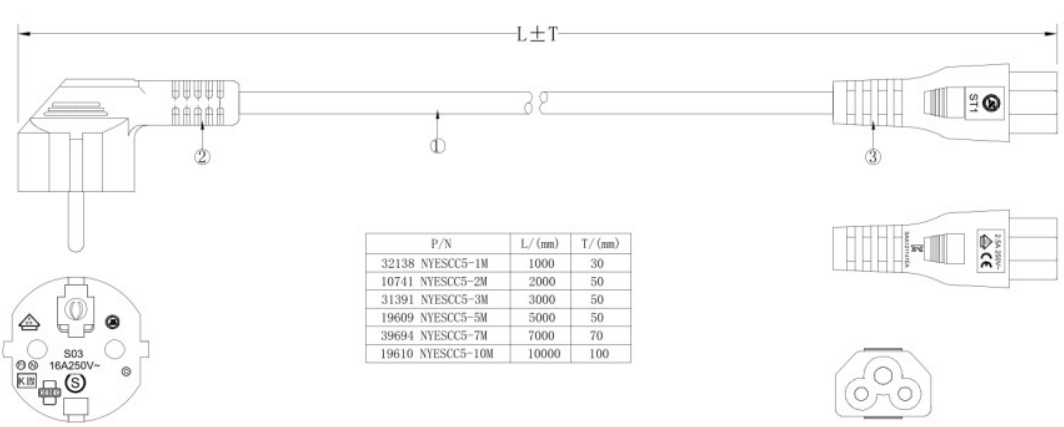
VDE, CE, RoHS, REACH

## Single packaging

<b>GTIN f-pak</b>	7072662016500
<b>Unit</b>	PCE
<b>Quantity</b>	1
<b>Height (cm)</b>	28
<b>Width (cm)</b>	12
<b>Length(cm)</b>	5
<b>Weight (kg)</b>	0,26
<b>Gross Weight (kg)</b>	0,27

## Dimensional Sketches

RevNo	Revision note	Date	Signature	Checked

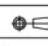
  


P/N	L/(mm)	T/(mm)
32138 NYESCC5-1M	1000	30
10741 NYESCC5-2M	2000	50
31391 NYESCC5-3M	3000	50
19609 NYESCC5-5M	5000	50
39694 NYESCC5-7M	7000	70
19610 NYESCC5-10M	10000	100

**NOTES:**

1. Open/Short/Intermittence:100%
2. Rated voltage:250V
3. Rated current:2.5A
4. Max. Working Temperature:70°C
5. IEC/TC20 Class:IP22
6. RoHS & REACH Compliant

NO.	MATERIAL	DESCRIPTION	QTY.	UNIT
①	PLUG	ST1:C5 PVC/BLACK	1	PCS
②	PLUG	S03:Angled Schuko PVC/BLACK	1	PCS
③	CABLE	H05VV-F 3*0.75mm <sup>2</sup> PVC/BLACK JACKET OD: 6.5±0.2mm MARKING: <VDE> H05VV-F 3G0.75mm <sup>2</sup> NINGBO OUSHENG	L	MM

Itemref	Quantity	Title/Name, designation, material, dimension etc	Article NO./Reference
FLY	1	Designed by: HELEN Checked by: HELEN Approved by - date: 2023.02.22	File name: Date: 2023.02.22 Scale: FREE
ANGLE: 		<b>MAINNING</b>	Angled Schuko TO C5 3*0.75mm <sup>2</sup>
UNIT:MM			Edition: 1 Sheet: 1/1

