

## Power Cable

### LinkIT power cable CEE 7/7 angled to C5 angled Black 5m

Angled schuko/C5, PVC, 3 x 0.75 mm<sup>2</sup>

Product number: NYESCC5-5MV

EI-number: 6956003

## Product Description

"Mickey Mouse" cable with angled Schuko - C5. PVC 3 x 0,75 mm<sup>2</sup>. CEE 7/7 right angle.  
 Certifications: RoHs, CE, VDE

## Main Specifications

<b>Brand</b>	LinkIT
<b>Color</b>	Black
<b>Length (m)</b>	5
<b>Connector type 1</b>	CEE 7/7
<b>Connector type 2</b>	C5 (F)
<b>Conductor material</b>	3 Wire
<b>Number of conductors</b>	3

## Extended Specifications

<b>NVP value</b>	69%
<b>Jacket material</b>	LSZH
<b>Angle contact 1</b>	Angeled
<b>Angle Contact 2</b>	Angeled
<b>Voltage</b>	AC 110-250V
<b>Amperage</b>	2.5A
<b>Conductor colour code</b>	Yellow, Green, Blue, Brown
<b>Gauge</b>	3X1.0MM2
<b>Operating Temperature</b>	-20 - 70 °C
<b>Halogenfree</b>	X

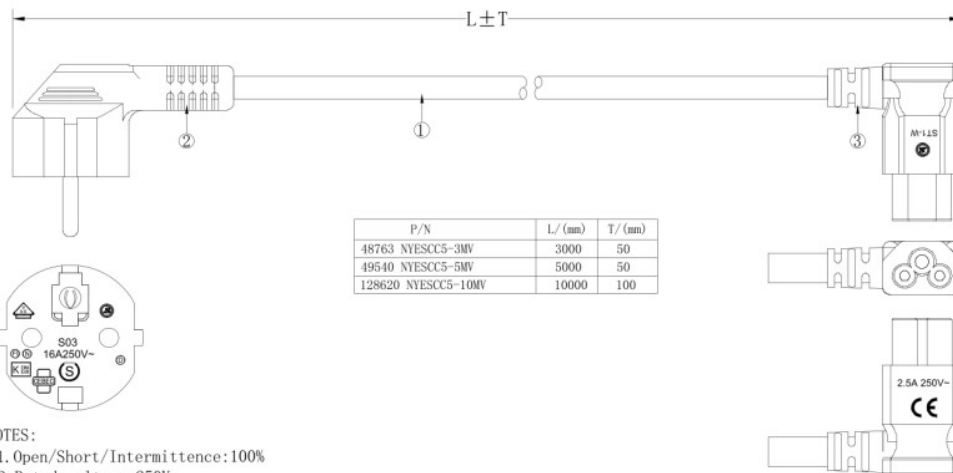








With Earthing	✓
EAN	7072662016487
Certifications	RoHS, CE, VDE, REACH

## Single packaging

Unit	PCE
Quantity	1
Height (cm)	18
Width (cm)	18
Length(cm)	3
Weight (kg)	0,29
Gross Weight (kg)	0,31

## Dimensional Sketches

RevNo.	Revision note	Date	Signature	Checked																																																
																																																				
<table border="1" style="margin: auto;"> <thead> <tr> <th>P/N</th> <th>L/ (mm)</th> <th>T/ (mm)</th> </tr> </thead> <tbody> <tr> <td>48763 NYESCC5-3MV</td> <td>3000</td> <td>50</td> </tr> <tr> <td>49540 NYESCC5-5MV</td> <td>5000</td> <td>50</td> </tr> <tr> <td>128620 NYESCC5-10MV</td> <td>10000</td> <td>100</td> </tr> </tbody> </table>					P/N	L/ (mm)	T/ (mm)	48763 NYESCC5-3MV	3000	50	49540 NYESCC5-5MV	5000	50	128620 NYESCC5-10MV	10000	100																																				
P/N	L/ (mm)	T/ (mm)																																																		
48763 NYESCC5-3MV	3000	50																																																		
49540 NYESCC5-5MV	5000	50																																																		
128620 NYESCC5-10MV	10000	100																																																		
<p>NOTES:</p> <ol style="list-style-type: none"> <li>1. Open/Short/Intermittence:100%</li> <li>2. Rated voltage:250V</li> <li>3. Rated current:2.5A</li> <li>4. Max. Working Temperature:70°C</li> <li>5. IEC/TC20 Class:IP22</li> <li>6. RoHS &amp; REACH Compliant</li> </ol>																																																				
<table border="1" style="width: 100%; border-collapse: collapse;"> <thead> <tr> <th>Item#</th> <th>Quantity</th> <th>Title/Name, designation, material, dimension etc</th> <th colspan="3">Article NO. /Reference</th> </tr> </thead> <tbody> <tr> <td>①</td> <td>1</td> <td>PLUG ST1-W:Angled C5 PVC/BLACK</td> <td>Designed by</td> <td>Checked by</td> <td>Approved by - date</td> </tr> <tr> <td>②</td> <td>1</td> <td>PLUG S03:Angled Schuko PVC/BLACK</td> <td>HELEN</td> <td>HELEN</td> <td>2023.02.23</td> </tr> <tr> <td>③</td> <td>1</td> <td>CABLE H05VV-F 3*0.75mm<sup>2</sup> PVC/BLACK JACKET OD:6.5±0.2mm MARKING:&lt;VDE&gt; H05VV-F 3G0.75mm<sup>2</sup> NINGBO OUSHENG</td> <td>File name</td> <td>Date</td> <td>Scale</td> </tr> <tr> <td>NO.</td> <td>MATERIAL</td> <td>DESCRIPTION</td> <td>ANGLE: </td> <td>Angled Schuko TO Angled C5 3*0.75mm<sup>2</sup></td> <td>FREE</td> </tr> <tr> <td colspan="3"></td> <td colspan="3" style="text-align: center;">  </td> </tr> <tr> <td colspan="3"></td> <td>UNIT:MM</td> <td>Edition</td> <td>Sheet</td> </tr> <tr> <td colspan="3"></td> <td></td> <td>1</td> <td>1/1</td> </tr> </tbody> </table>					Item#	Quantity	Title/Name, designation, material, dimension etc	Article NO. /Reference			①	1	PLUG ST1-W:Angled C5 PVC/BLACK	Designed by	Checked by	Approved by - date	②	1	PLUG S03:Angled Schuko PVC/BLACK	HELEN	HELEN	2023.02.23	③	1	CABLE H05VV-F 3*0.75mm <sup>2</sup> PVC/BLACK JACKET OD:6.5±0.2mm MARKING:<VDE> H05VV-F 3G0.75mm <sup>2</sup> NINGBO OUSHENG	File name	Date	Scale	NO.	MATERIAL	DESCRIPTION	ANGLE: 	Angled Schuko TO Angled C5 3*0.75mm <sup>2</sup>	FREE										UNIT:MM	Edition	Sheet					1	1/1
Item#	Quantity	Title/Name, designation, material, dimension etc	Article NO. /Reference																																																	
①	1	PLUG ST1-W:Angled C5 PVC/BLACK	Designed by	Checked by	Approved by - date																																															
②	1	PLUG S03:Angled Schuko PVC/BLACK	HELEN	HELEN	2023.02.23																																															
③	1	CABLE H05VV-F 3*0.75mm <sup>2</sup> PVC/BLACK JACKET OD:6.5±0.2mm MARKING:<VDE> H05VV-F 3G0.75mm <sup>2</sup> NINGBO OUSHENG	File name	Date	Scale																																															
NO.	MATERIAL	DESCRIPTION	ANGLE: 	Angled Schuko TO Angled C5 3*0.75mm <sup>2</sup>	FREE																																															
																																																				
			UNIT:MM	Edition	Sheet																																															
				1	1/1																																															

